

HAMILTON MODEL ENGINEERS INC. PRESENTS

# STEAM N' STEEL 2025

# NEWSLETTER

## Convener:

- Keith Betts

## Secretary:

- Bianca Betts
- Stefan Lipsey

## Contacts:

- Email:  
[2025@hme.co.nz](mailto:2025@hme.co.nz)
- Website:  
[www.hme.co.nz](http://www.hme.co.nz)
- Facebook:  
[Steam n steel 2025](#)  
[Hamilton Model Engineers](#)

## Information:

- Club address:  
[Minogue Park, Tui](#)  
[Avenue Forest Lake,](#)  
[Hamilton 3200](#)
- PO Box:  
PO Box 5090, Frankton  
Attention: Bianca Betts

## In this issue:

Update	P1	Fuel	P2
Registrations	P2	Accomodation	P2
Uniforms	P3	Les Moore Challenge	P3
Les Moore Challenge Cont.	P4	Timetable	P5

## Update

Exciting times are ahead and we only have 4 months remaining until or 2025 convention. To those that have registered already, we thank you and to those who are still to register we look forward to having you join us. A big thank you to our wonderful sponsors that we have on board.

We are still holding our monthly night runs every 3rd weekend (weather depending), so if you are able to attend please keep an eye on our Facebook page for more information. We look forward to seeing more registrations coming in.

Kind regards,  
Bianca Betts  
Co Convention Secretary

## Sponsors:



CUSTOM APPAREL SUPPLY



KCS




DISTINCTION  
HOTELS GROUP

100% NEW ZEALAND  
OWNED & OPERATED

## Registrations

Registrations are live for our 2025 convention and we have two ways you can register:

### Online (Google forms):

- Follow this link 
- Find the link on our Steam N' Steel 2025 Facebook page or our Hamilton Model Engineers Website



### Paper Copy:

- Print a copy from our website and email it back to us at 2025@hme.co.nz
- Print and send via post to  
Bianca Betts  
PO Box 5090  
Frankton

## Fuel



We will have the following fuel on hand at the convention. If there is anything else you require, please let us know ASAP via email 2025@hme.co.nz

- Welsh nuts and beans
- Petrol
- Kindling etc
- Steam oil

## Accommodation

We have managed to gain a deal with the Distinction Hotel which is located just over the hill from our train club or about a 10min walk around Minogue road.

The distinction is where we will be having the formal dinner on the Saturday night so it will be nice and close.

The deal is

- \$200 per room per night (room only)
- \$230 B&B 1 person per night
- \$260 B&B 2 people per night

In order to get this deal you will need to call the distinction hotel directly and quote **Ref: #176417 / Train event**

Online orders will not be able to use the code and gain the discount.

## Sponsors:



CUSTOM APPAREL SUPPLY



KCS



**DISTINCTION  
HOTELS GROUP**

100% NEW ZEALAND  
OWNED & OPERATED

## Uniforms

We have now finalised our uniform options that we will have and the registration forms have now been updated. We will have the following options:



*Polo Shirt - \$70*



*Dress Shirt - \$70*



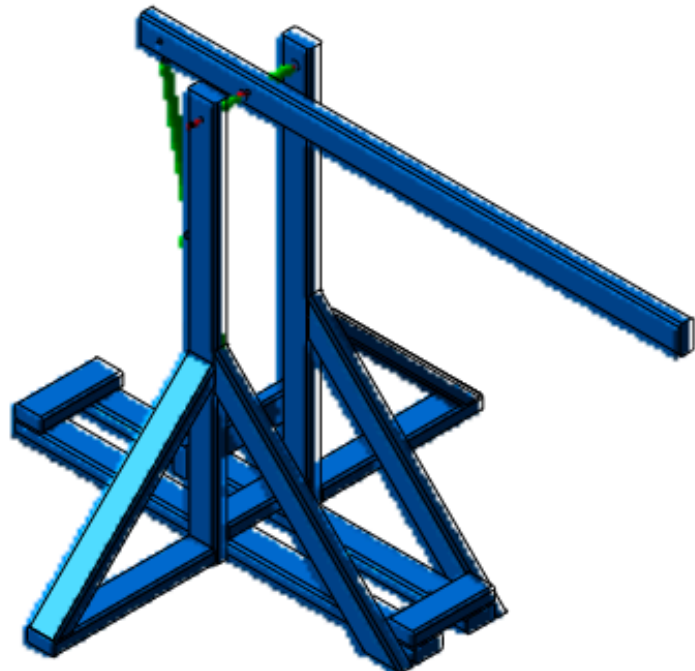
*Bucket Hat - \$20*



*Cap - \$26*

## Les Moore Challenge

We know that we don't have much time left until our convention but we are hoping to have as many clubs as possible participate in this fun challenge. This year we propose to have a model of a Romain Trebuchet with an addition of an air cylinder to power it 350 long 40mm ID. They are going to throw tennis balls over our lake approximately 27m and hit a target. The challenge of this will be the loading, holding and targeting the tennis balls, which is up to your own interpretation. The pressure of the air cylinder will be limited to 50 PSI. Below is a mock up to help you along.



## Sponsors:



TREETOWN DESIGNER  
KITCHENS



CUSTOM APPAREL SUPPLY



KCS

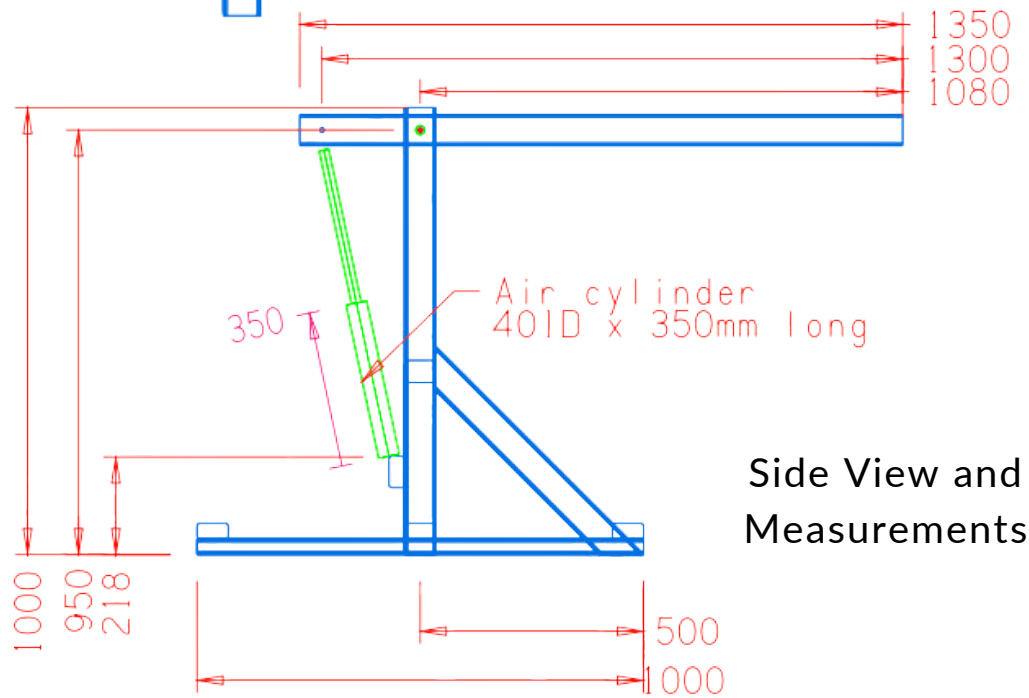
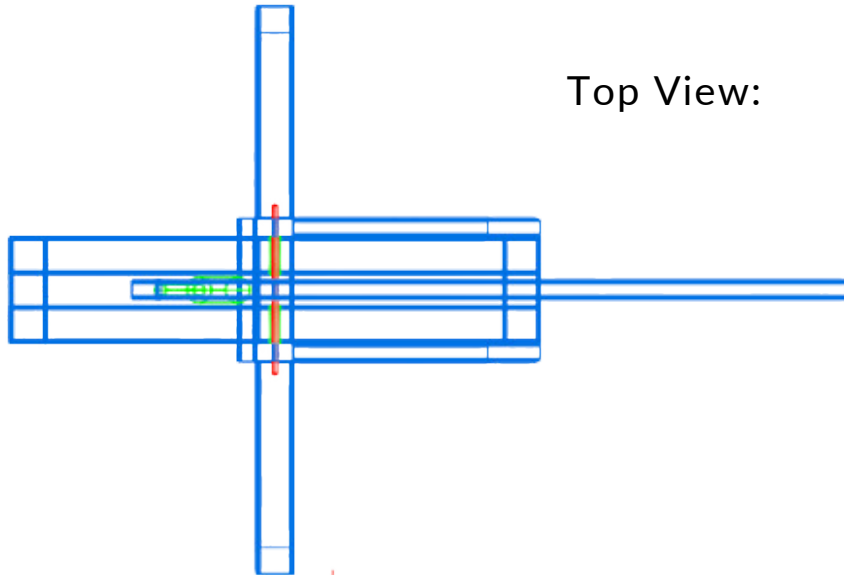


DISTINCTION  
HOTELS GROUP

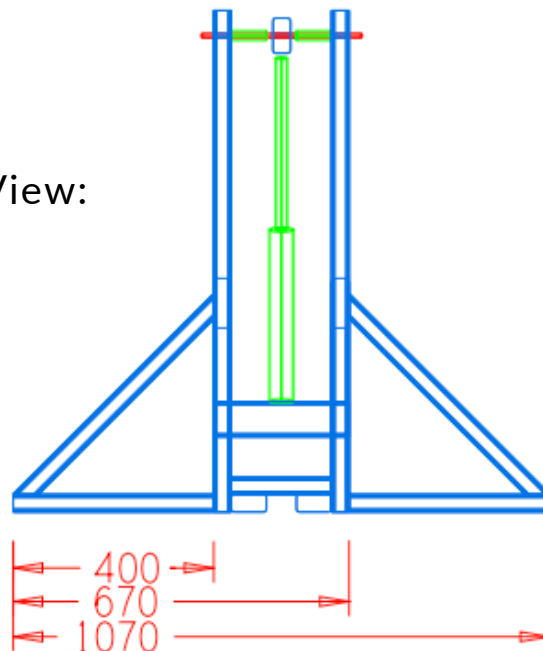
100% NEW ZEALAND  
OWNED & OPERATED

# Les Moore Challenge

Top View:



Front View:



## Sponsors:



# Convention Timetable

Below is a timetable for the days of our convention to help give everyone an idea of how we hope it to run.

*\*Please note this may be subject to change*

	Wednesday 8th	Thursday 9th	Friday 10th	Saturday 11th	Sunday 12th	Monday 13th
7:00 AM		Site Open to Attendees	Site Open to Attendees	Site Open to Attendees	Site Open to Attendees	Site Open to Attendees
8:00 AM				Drivers briefing	Drivers briefing	
9:00 AM				MEANZ Meeting	Auditors Meeting	Drivers briefing
10:00 AM	Site Open to Attendees	Club fun day		Public Running	Members and attendees only night run	Site Closed
11:00 AM						
12:00 PM			Drivers briefing			
1:00 PM			OFFICIAL OPENING			
2:00 PM	Track open for • Unloading • Signing In • Free running/ fun day		BBQ Dinner during night run	Convention Dinner	BBQ Dinner	BBQ Dinner
3:00 PM						
4:00 PM		Les Moore Challenge				
5:00 PM		BBQ Dinner				
6:00 PM						
7:00 PM						
8:00 PM	Site Closed	Site Closed				Site Closed
9:00 PM						
10:00 PM						
11:00 PM			Site Closed	Site Closed		

Site Open/ Closed	MEANZ Meeting	Auditors Meeting	Drivers Briefing
Members/ Attendees Only	Public Running	Official Opening	Convention Dinner